

Tool Requirements for Railing Installation

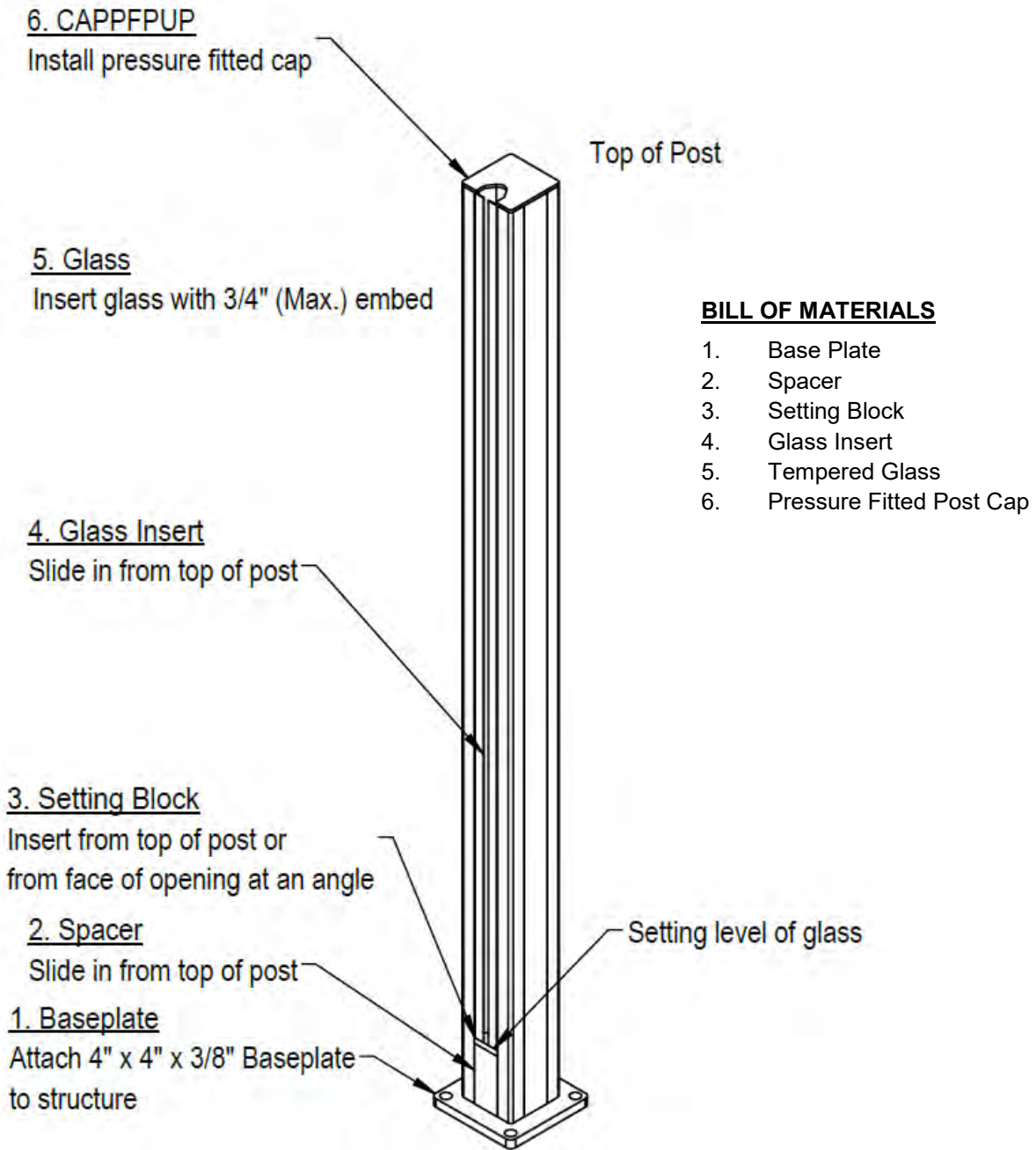
- ◆ 10" Mitre Saw with a Carbide Triple Chip Blade
- ◆ Electric or 18-volt cordless, variable speed Drill
- ◆ Hammer Drill for concrete or stucco applications
- ◆ Electric power cords
- ◆ Drill bits - 1/8" & 5/32" & 3/16" & 1/4" (bring extras)
- ◆ Driver bits #2 & #3 - 6" long Robertson head (bring extras)
- ◆ Hack Saw
- ◆ Safety Glasses
- ◆ Ear Protection
- ◆ Tape Measure
- ◆ Pencil
- ◆ Exact-o-Knife
- ◆ Pliers or Vice Grips
- ◆ 3' Level
- ◆ Framing Square
- ◆ String line
- ◆ Hammer
- ◆ Metal File
- ◆ Flat Aluminum File
- ◆ Non-Marking Rubber Mallet
- ◆ Dish soap for glass installation
- ◆ Tin Snips, center cut or Yellow handle
- ◆ Caulking Gun
- ◆ Bottom Rail Clip Jig

PUP Post Installation Instructions

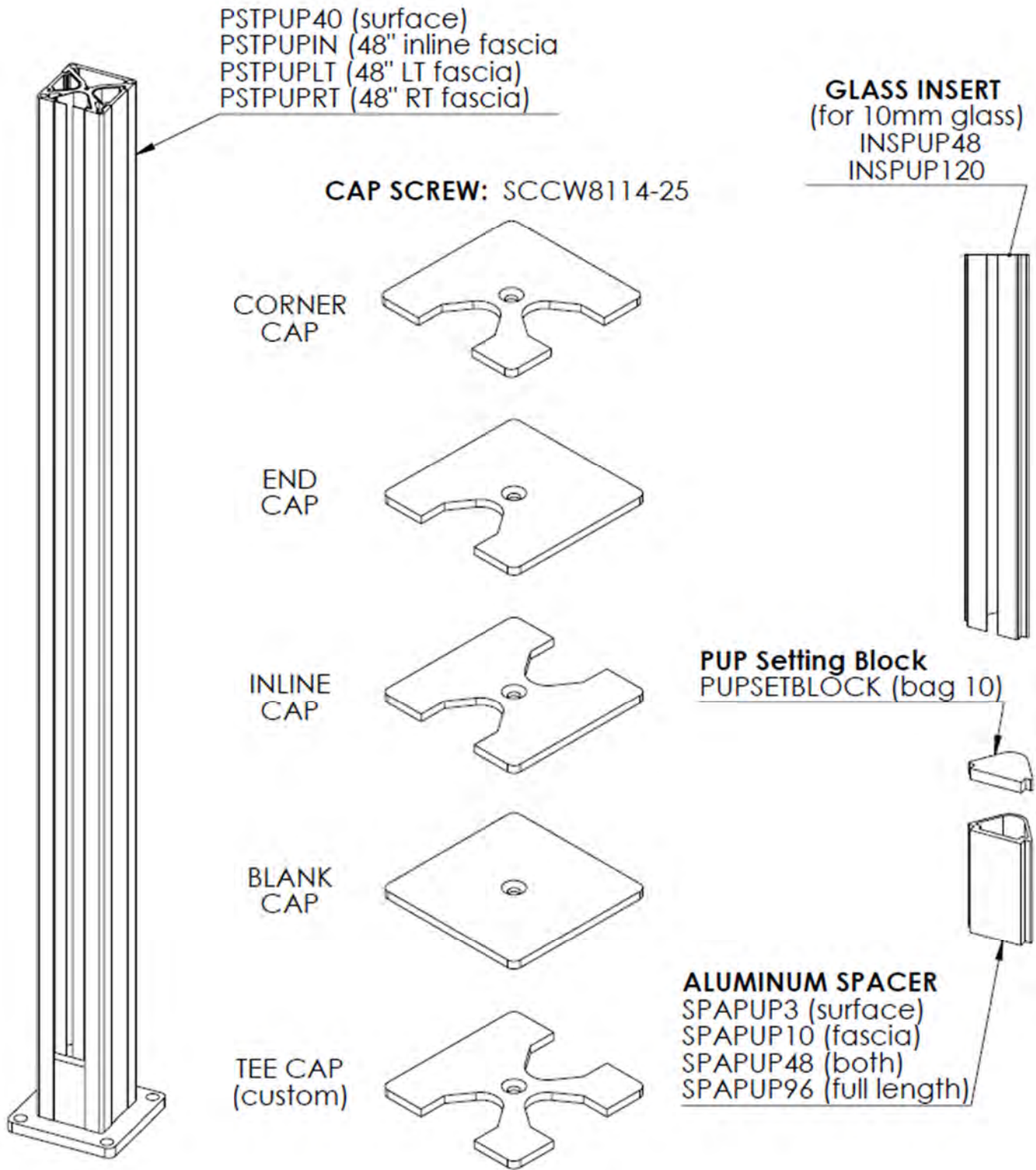
1. Layout posts on deck according to plan and ensure all pieces are included. Please ensure there is proper blocking where the posts are to be assembled on deck.
2. Predrill holes through base plate and fasten screws through base plate. Make sure posts are squared and level. This is very important because if the post is not level it could affect how the glass is sitting in the post.
3. Once you have all the posts attached to the deck place glass insert in all glass channels.
4. Once you have all insert in the posts please snap aluminum bottom spacers to the bottom glass channel. You may want to use a rubber mallet to lightly hammer into place.
5. Once you have all aluminum bottom spacers in next place PVC insert in all glass channel. Please put triangle part of insert to the back of the post channel. This will be the piece the glass will rest on.
6. Place caps on the post and screw caps down. Insert screw plugs into screw ports then put cap on the top of post and screw down.
7. Now all posts are in place measure from inside of post to inside of post to get the glass width. Please add $\frac{3}{4}$ " for $\frac{3}{8}$ " or 10MM glass per channel ($1 \frac{1}{2}$ " per glass panel) to get your overall glass width. Glass height will be determined as to customer needs.

Surface Mounted PUP Post Installation Process

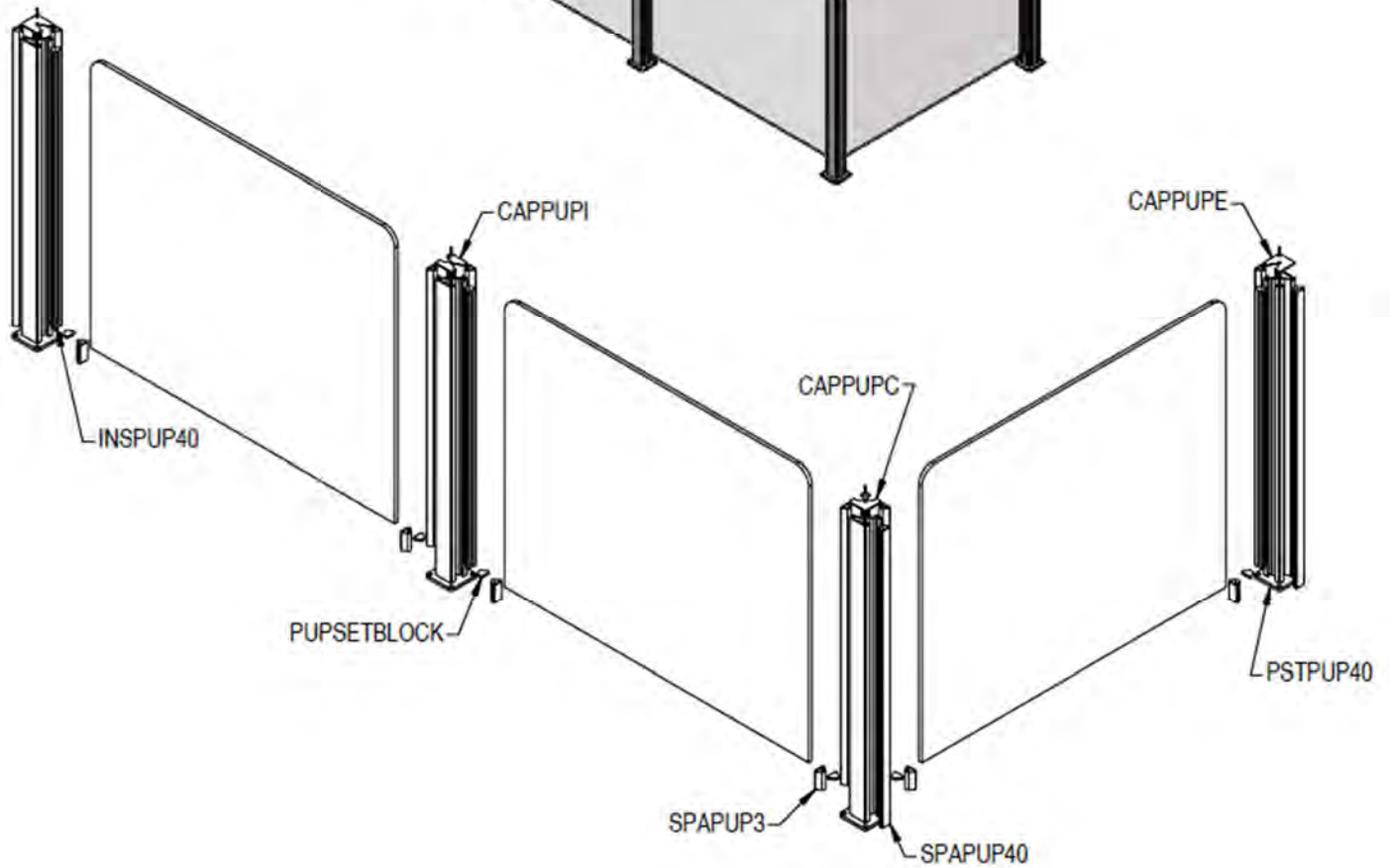
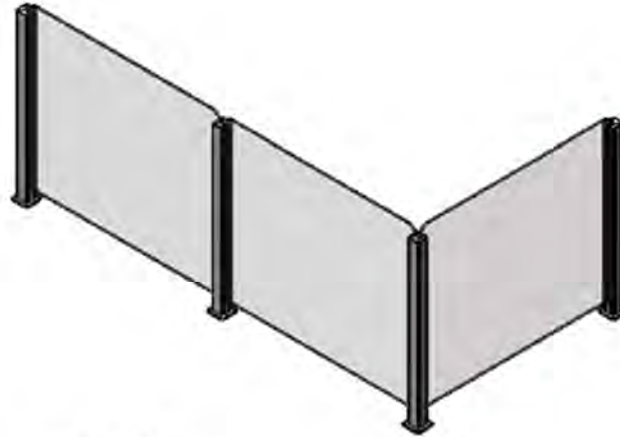
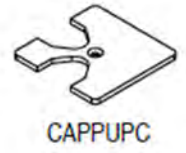
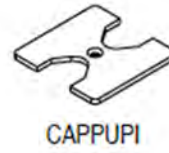
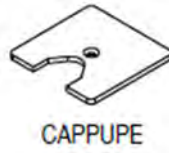
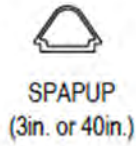
SEE FASTENER SHEET
FOR FASTENER LISTINGS



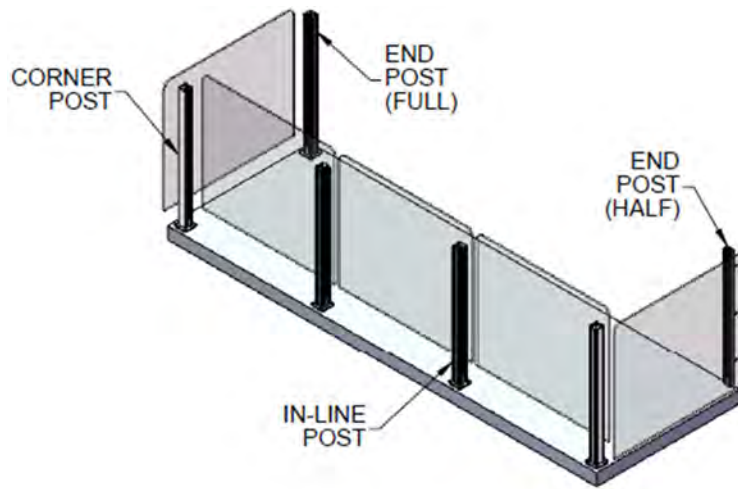
Surface Mounted PUP System



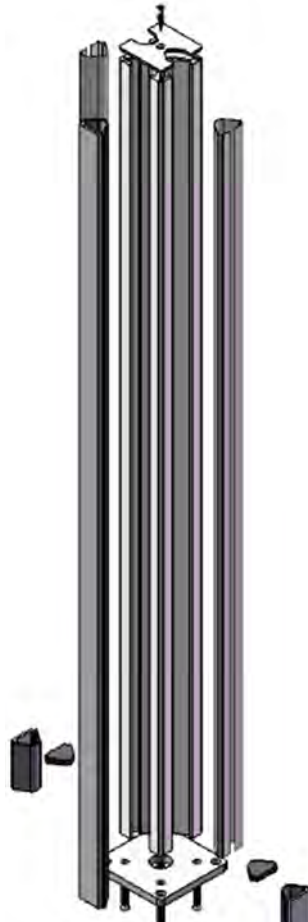
PUP Assembly



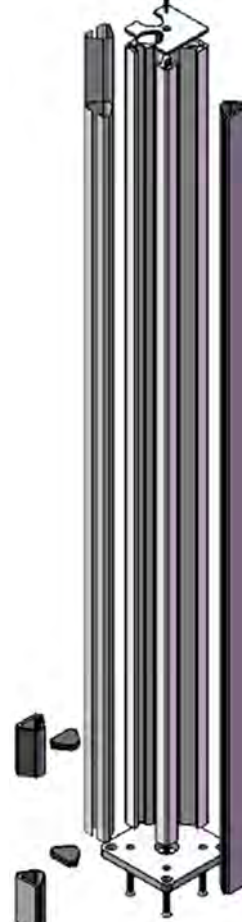
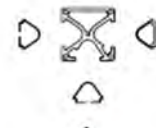
PUP Rail Deck Assembly



END POST (FULL)



IN-LINE POST



CORNER POST



END POST (HALF)