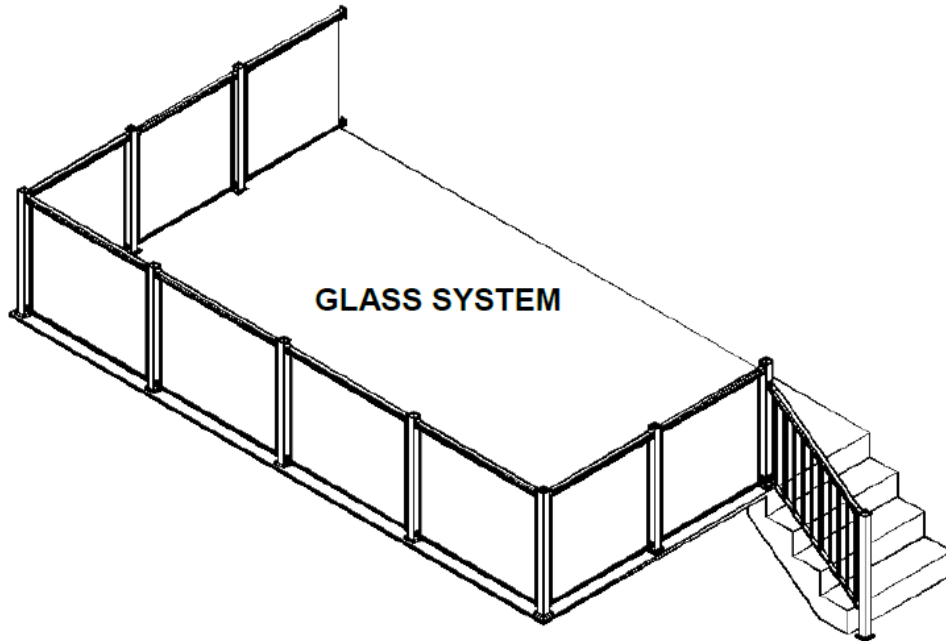


Kit — Component Glass System Installation Instructions



TOOLS & MATERIALS REQUIRED

- 10" Miter (w/ Carbide Triple Chip Blade) or Hacksaw
- Tape Measure
- Electric power cords
- Pencil
- 1/8", 5/32", 3/16", and 1/4" Drill Bits
- Cordless or Electric Drill, variable speed
- Level
- Hammer Drill for concrete or stucco applications
- Exact-o-knife
- NP1 Urethane Caulking and Caulking Gun
- Robertson #2 Bit Head
- Straight Screw Driver (Chicago Bolts)
- Hex Head Driver Bits (#10 Tek & #14 Tek)

WARNING

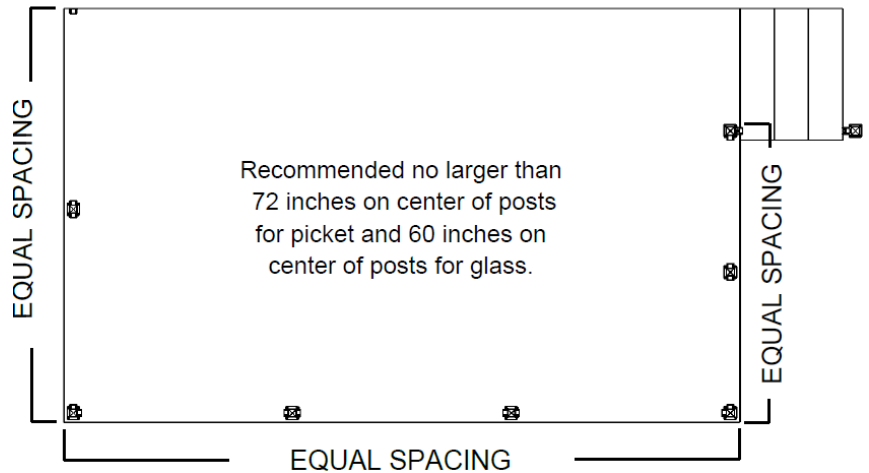
No representation or warranty is given that your particular application of these products complies with relevant building codes or that the fasteners provided or used are appropriate for your application. Therefore consult with professionals and local building officials before beginning work; (i) to ensure compliance with relevant building codes for your application and for your proposed use of fasteners; (ii) to ensure the integrity of the structural components in connection with which these products are to be used (iii) to identify appropriate safety gear that is to be used during installation such as safety harness when working above ground; (iv) to ensure that the work area is free from utilities, services and hazards; and (v) to clarify any instructions or warning that may not be clear. Always work in a safe manner wearing protective gear such as gloves, eyewear, headwear, footwear and clothing. When using tools always comply with operating manuals and instructions. Metal and glass may have sharp edges and could fragment or splinter during or as a result of handling or cutting. Do not use these products in connection with any substance that is or may be harmful or corrosive to the products. Inspect and maintain these products and the structural components that they are used in connection with on a regular basis using professionals when appropriate. These instructions have been prepared for certain standard residential applications. Obtain professional advice for any non-standard or non-residential application.

No member of Excell Railing Systems shall be liable for any loss or damage resulting from improper installation or use of this product. In the unlikely event that any member of Excell Railing Systems becomes liable for any loss or damage, the aggregate liability shall be limited to the retail purchase price of the product.

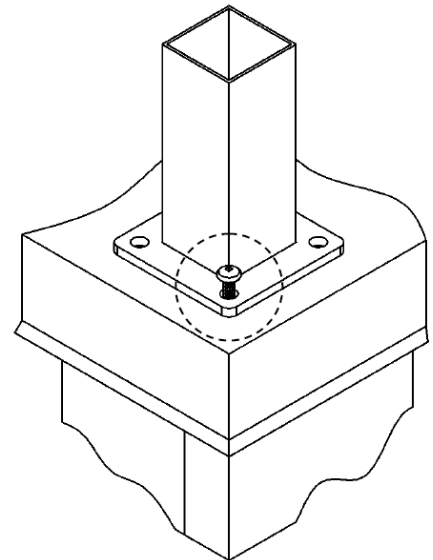
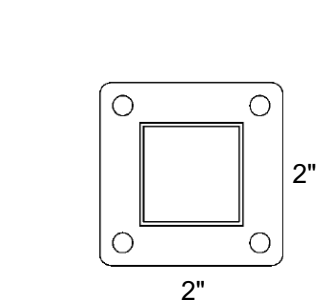
Kit — Component Glass System Installation Instructions

STEP 1: POST SETUP

- a) Based on your deck layout, place posts on the deck equally spaced apart. Ensure mounting area has adequate solid blocking.



- b) Once you have the posts placed into their positions, (approx. 2" from edge of the post base plate to edge of deck), pre-drill and loosely fasten the post to the deck with 1 fastener leaving 1/2" above the post base plate.



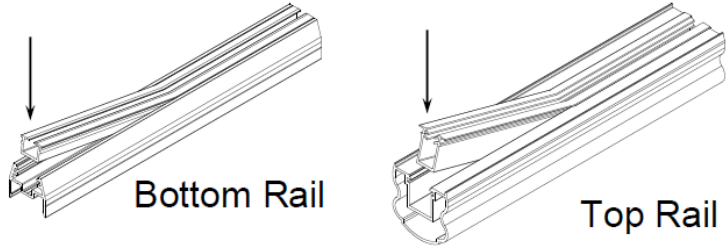
- c) Starting at one end of the deck, plumb the end post, and secure all four fasteners. If you are wall mounting at the starting point, see step 2c. Some vinyl or rubber gasket can be used as shims under the base plates for these adjustments. Once you are satisfied with the adjustments pre-drill the remaining 3 holes in the deck, put a little NP1 Urethane Caulking onto the threads of the screws. Just snug the screws down, and do not over tighten (don't forget to back out the original fastener and apply the NP1 Urethane Caulking). As railing becomes secure, once again, double check posts are plum and square.

Note: Use NP1 Urethane Caulking for attaching the railing mounts to the building or wall too.

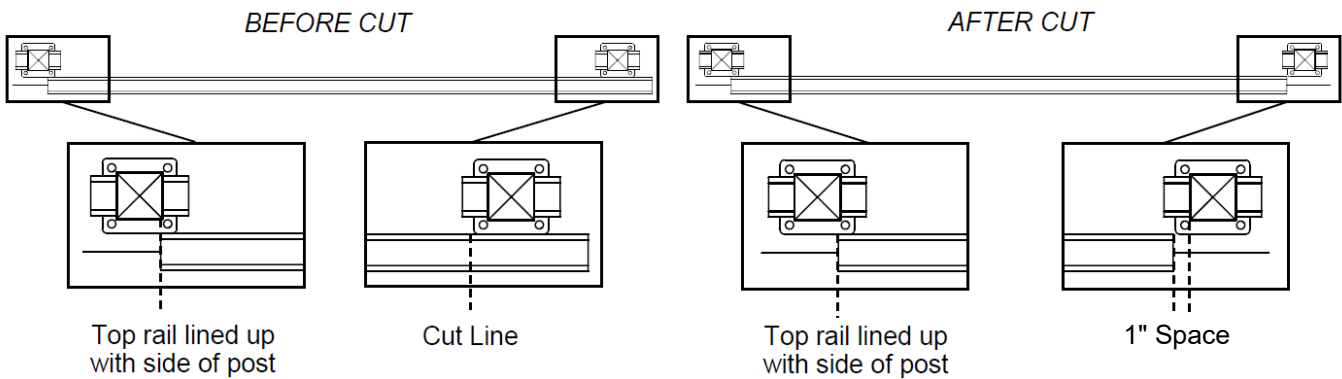
Kit — Component Glass System Installation Instructions

STEP 2: INSTALLING GLASS INFILL PANELS

- a) Snap in the Top Glass Insert into the Top Rail and snap in the Bottom Glass Insert into the Bottom Rail.

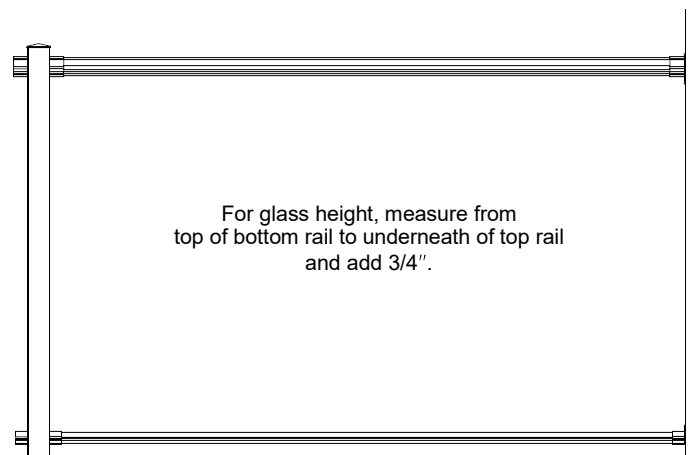
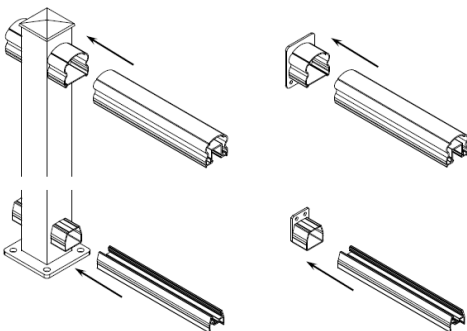


- b) Position and hold the end of a Top Rail up to a post to post span. Using a pencil mark the other end of the Top Rail inside the post for cutting. Deduct 1", so that when the Top and Bottom Rail are centered between posts there is a 1/2" deduction on each side. Cut the Top and Bottom Rail the same length.



- c) Join the railings together by sliding top and bottom rail into the post sleeves or into a loose wall mount.

NOTE: If you are mounting to a wall or column, (a) slide the loose wall mounts onto the top and bottom rail (b) measure and mount to wall or column (Refer to Wall Mount dimension details).



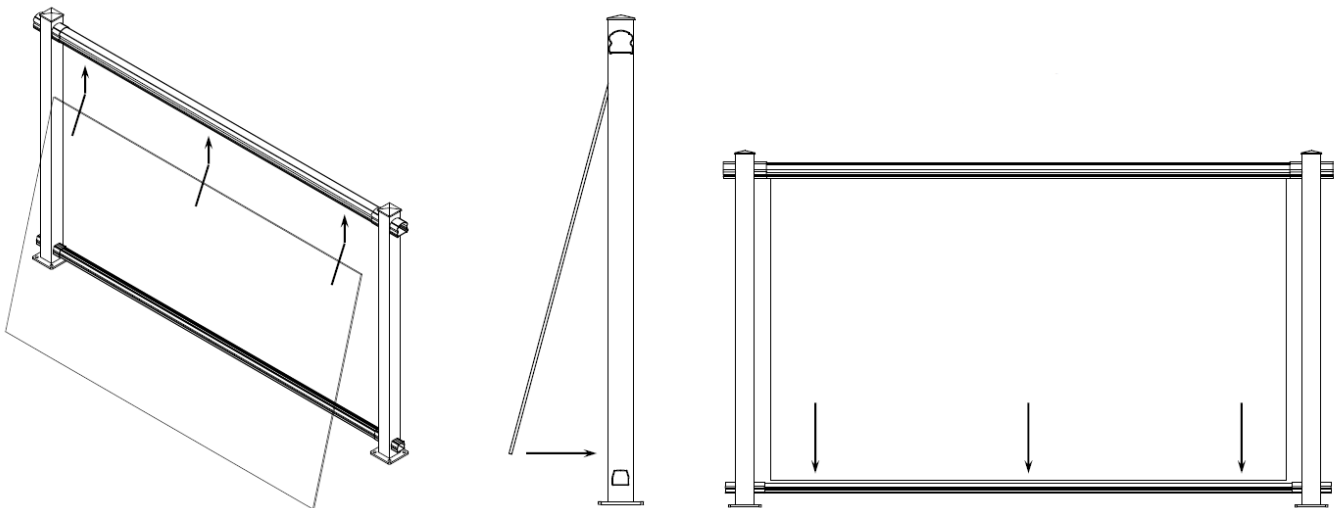
Kit — Component Glass System Installation Instructions

- d) Secure the top rail to the top sleeve using a #10 x 3/4" tek fasteners under the top sleeve and secure the bottom rail to the bottom wall mount using a # 10 x 3/4" tek fasteners on the outside of the deck.

Repeat step 2 with the remaining glass railing sections

- e) Slide the support leg under the center of panel.
One leg is needed under each section.
- f) Install the glass by applying a small amount of dish soap to the top and bottom of the glass. Hold the glass on either side, centering between the posts, and slide the top of the glass into the top glass insert already snapped within the top rail. Push up as far as it can go to allow the glass to swing over top of the bottom rail, which the glass will then slide into the bottom glass insert already snapped within the bottom rail. Repeat for the remaining glass.

NOTE: Glass edge to post spacing should be no larger than 4 inches.



NOTE: Now that installation is complete, clean the railing of fingerprints using Vim or car polish, and clean the glass with a glass cleaner such as Windex.