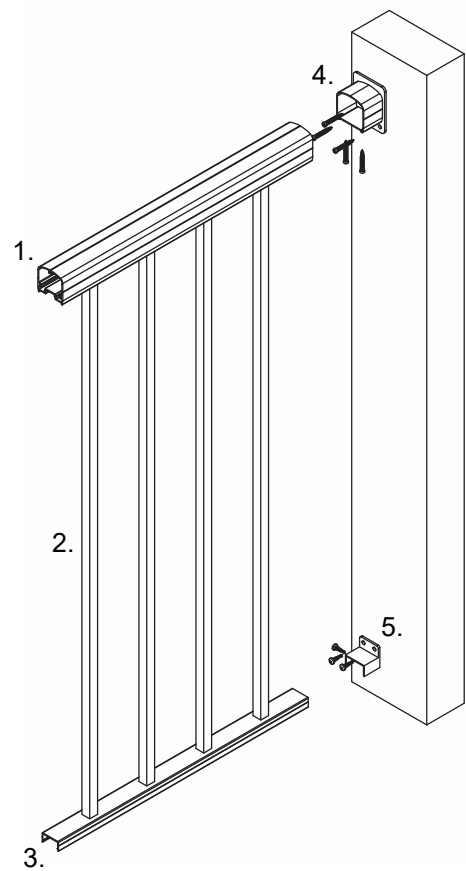
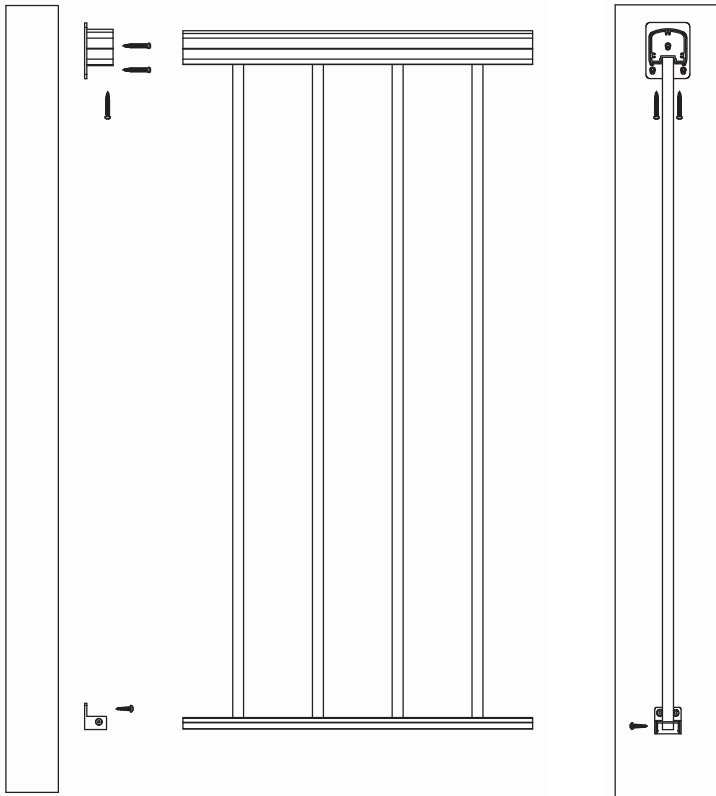
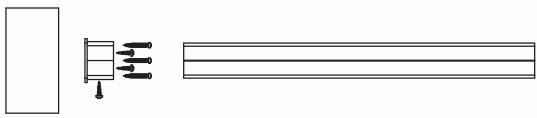


Wall Mount with Non-Continuous Top Rail Detail - Welded Picket

SEE FASTENER SHEET
FOR FASTENER LISTINGS



BILL OF MATERIALS

1. Top Rail (Square or Round)
2. Picket Material (Welded to 1 & 4)
3. Welded Picket Bottom Rail
4. Top Wall Mount
5. (a) Receiver Clip OR (b) Bottom Wall Mount