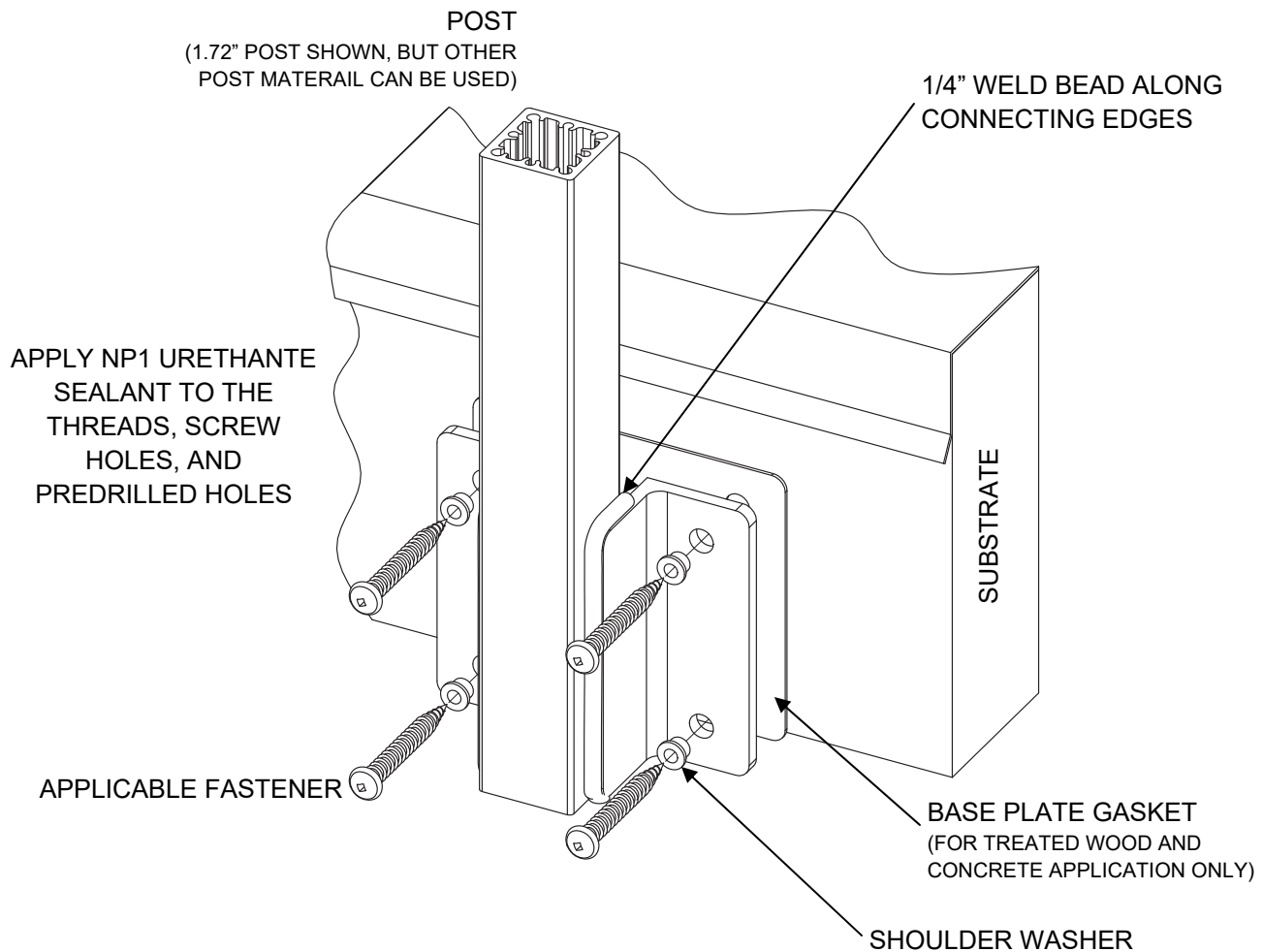


Fascia Post Installation Method



SHOULDER WASHER: These are put into the base plate mounting holes to prevent the stainless steel screw from marking the paint or coming in contact with the aluminum base plate, which could cause electrolysis. These can be purchased from the railing manufacturer.

NEOPRENE GASKET: These are used for treated wood and concrete applications. The Neoprene Gasket is placed between the post base plate and substrate. This will help prevent corrosion caused by the acidic reaction between the aluminum and the treated wood or concrete. These can be purchased from the railing manufacturer.

NP1 URETHANE SEALANT: This sealant is placed in all screw chases, predrilled holes, and to all screw threads when installing. The sealant will prevent leaks in the building structure, and create a barrier between the different metals in the railing, which reduces the chance of electrolysis or corrosion. This type of sealant is used instead of silicone because there are solvents within silicone that will also dissolve or corrode the screws and aluminum railing over time. This sealant can be purchased at most hardware stores.

EXCELLRAILING.COM