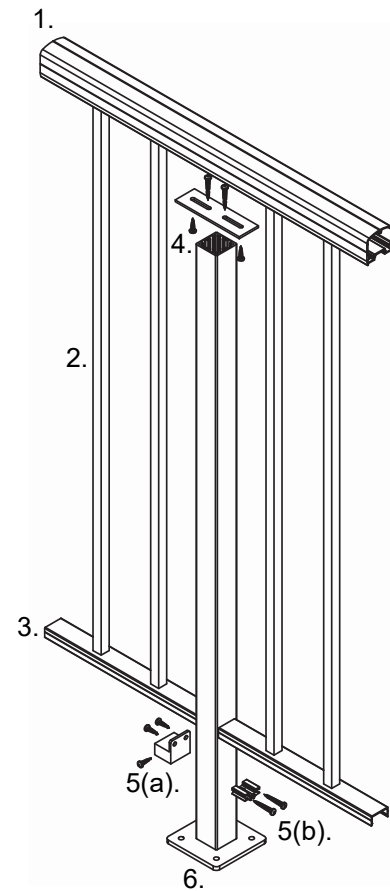
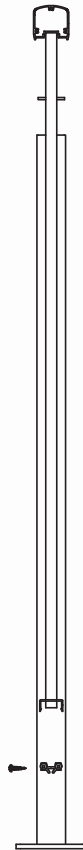
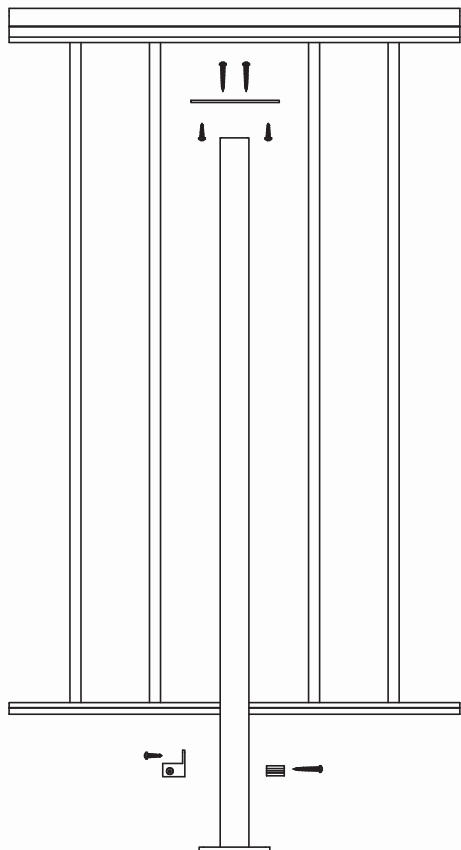
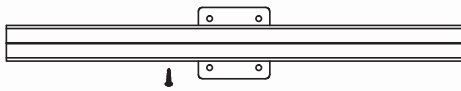


Inline Post with Continuous Top Rail Detail - Welded Picket

SEE FASTENER SHEET
FOR FASTENER LISTINGS



BILL OF MATERIALS

1. Top Rail (Square or Round)
2. Picket Material (Welded to 1 & 3)
3. Welded Picket Bottom Rail
4. Post Mount Plate
5. (a) Bottom Wall Mount OR (b) Receiver Clip
6. Post (2" or Less)

EXCELLRAILING.COM