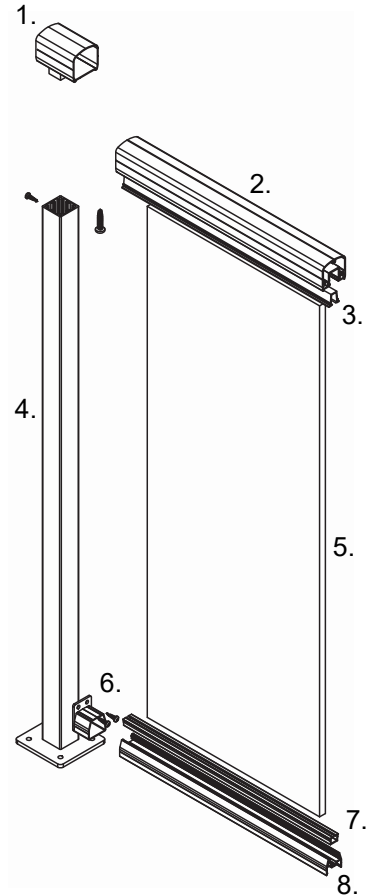
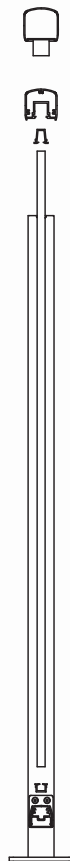
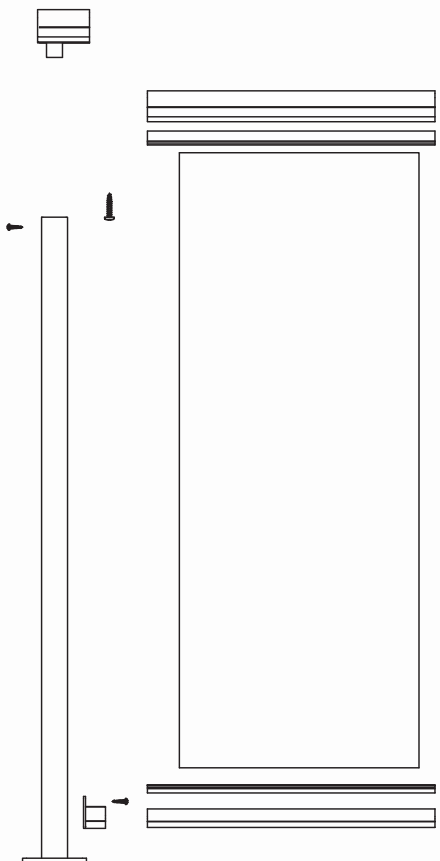
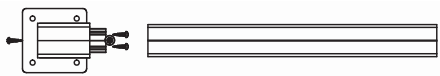


End Post with Continuous Top Rail and Gate Kit Sleeve Detail - Component Glass

SEE FASTENER SHEET
FOR FASTENER LISTINGS



BILL OF MATERIALS

1. Top Rail Gate Sleeve
2. Top Rail (Square or Round)
3. Top Glass Insert
4. Post (2" or Less)
5. Tempered Glass (6mm / 1/4")
6. Receiver Clip OR Bottom Wall Mount
7. Bottom Glass Insert
8. Component Bottom Rail