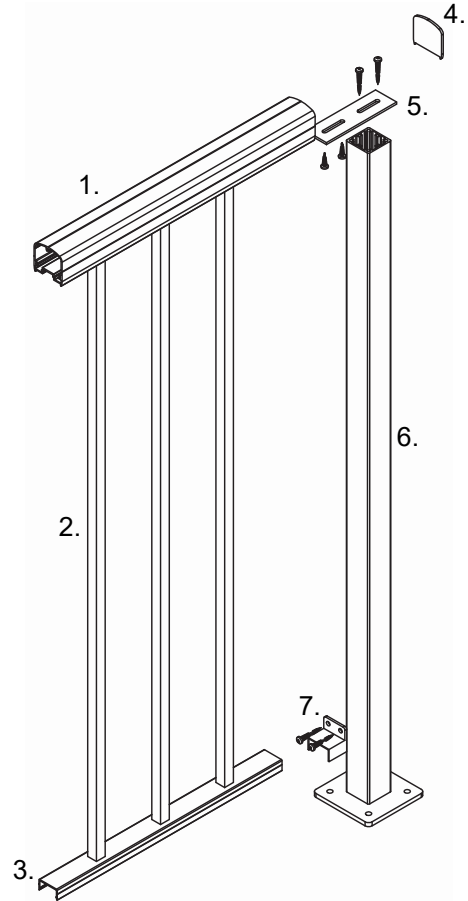
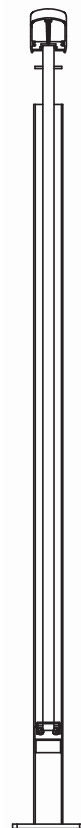
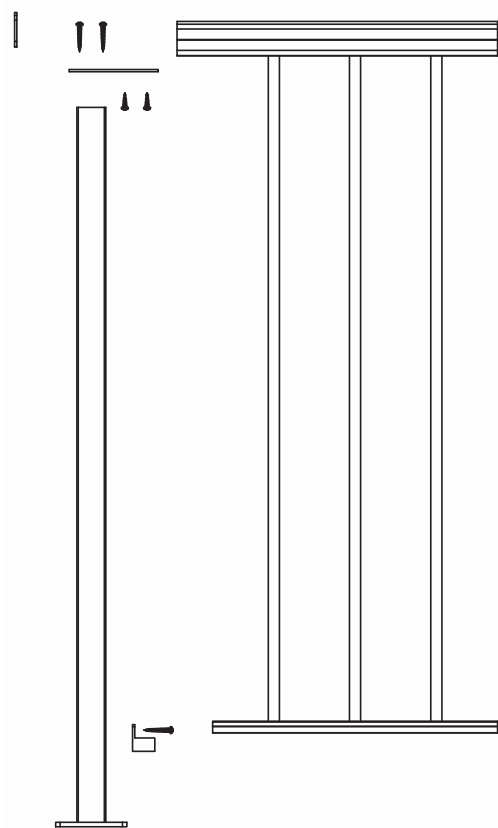
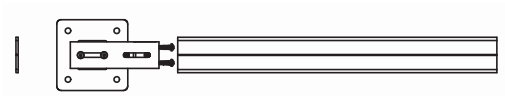


End Post with Continuous Top Rail and End Cap Detail - Welded Picket

SEE FASTENER SHEET
FOR FASTENER LISTINGS



BILL OF MATERIALS

1. Top Rail (Square or Round)
2. Picket Material (Welded to 1 & 3)
3. Welded Picket Bottom Rail
4. Top Rail End Cap
5. Post Mount Plate
6. Post (2" or Less)
7. Receiver Clip OR Bottom Wall Mount

EXCELLRAILING.COM