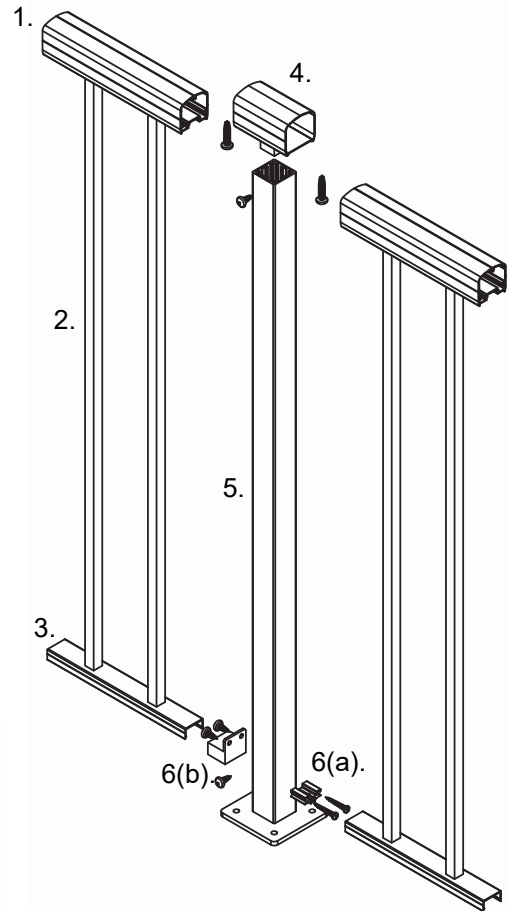
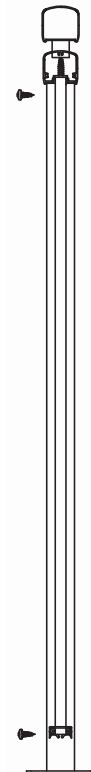
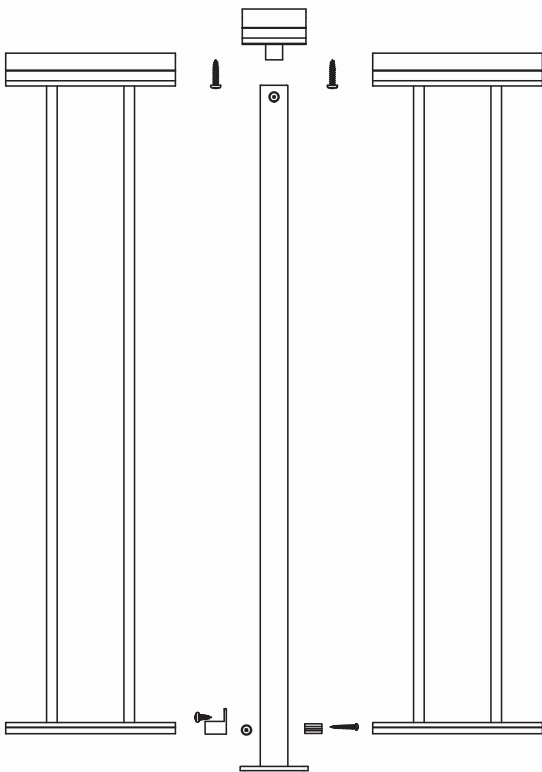
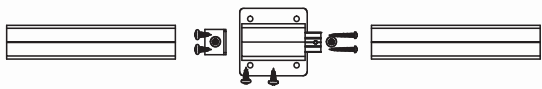


## Center Post with Continuous Top Rail Detail - Welded Picket

### BILL OF MATERIALS

1. Top Rail (Square or Round)
2. Picket Material (Welded to 1 & 3)
3. Welded Picket Bottom Rail
4. 180° Top Sleeve
5. Post (2" or Less)
6. (a) Receiver Clip OR (b) Bottom Wall Mount



SEE FASTENER SHEET  
FOR FASTENER LISTINGS