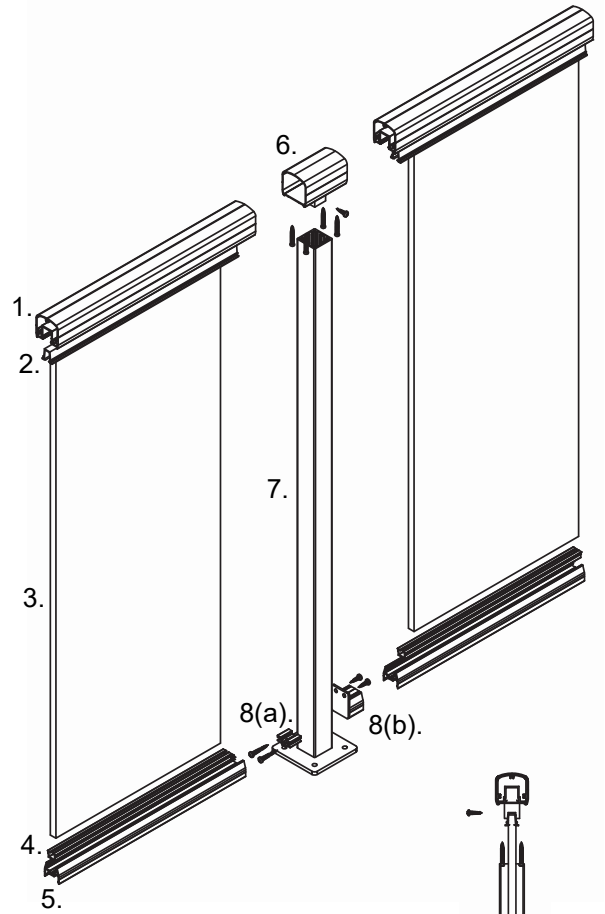
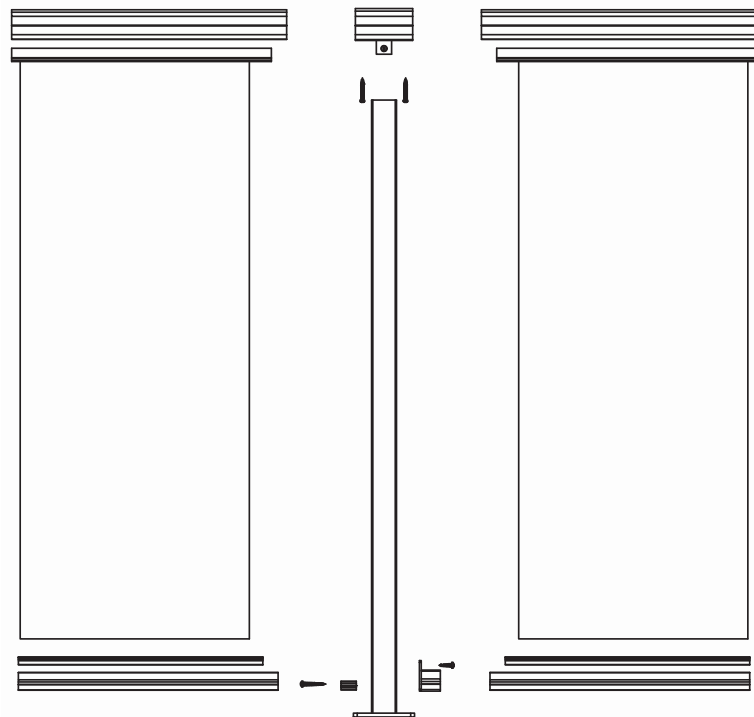
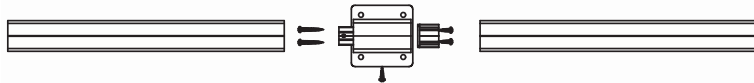


## Center Post with Continuous Top Rail Detail - Component Glass

### BILL OF MATERIALS

1. Top Rail (Square or Round)
2. Top Glass Insert
3. Tempered Glass (6mm / 1/4")
4. Bottom Glass Insert
5. Component Bottom Rail
6. 180° Top Sleeve
7. Post (2" or Less)
8. (a) Receiver Clip OR (b) Bottom Wall Mount



SEE FASTENER SHEET  
FOR FASTENER LISTINGS

EXCELLRAILING.COM